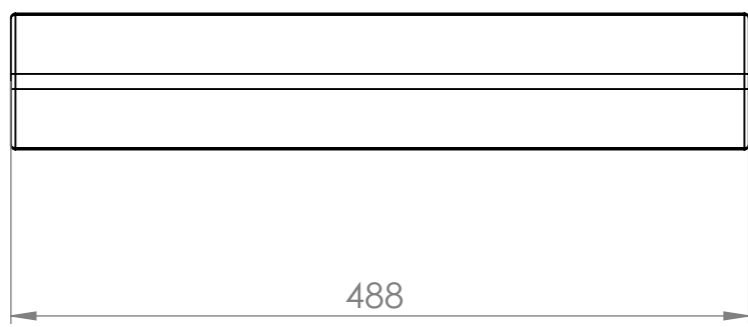
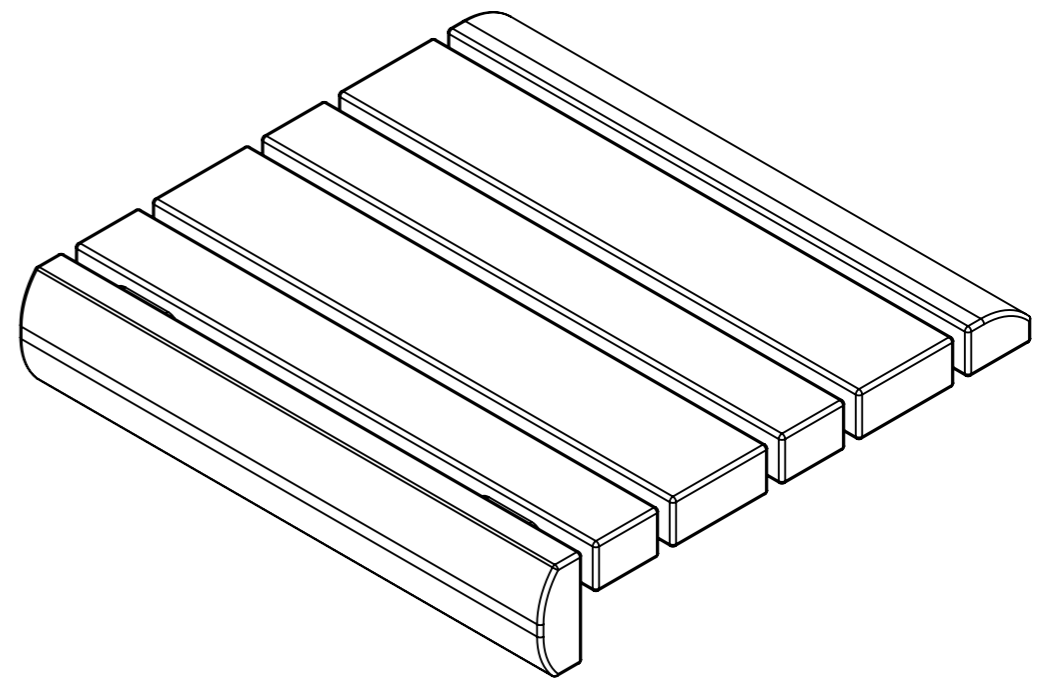
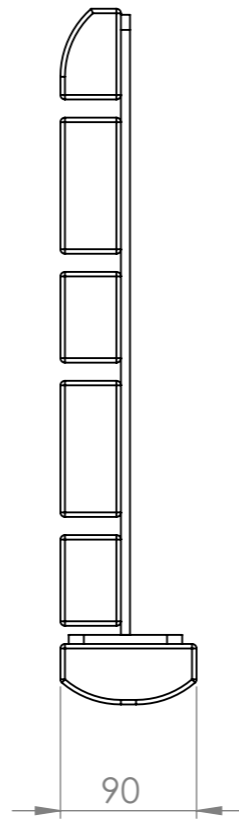
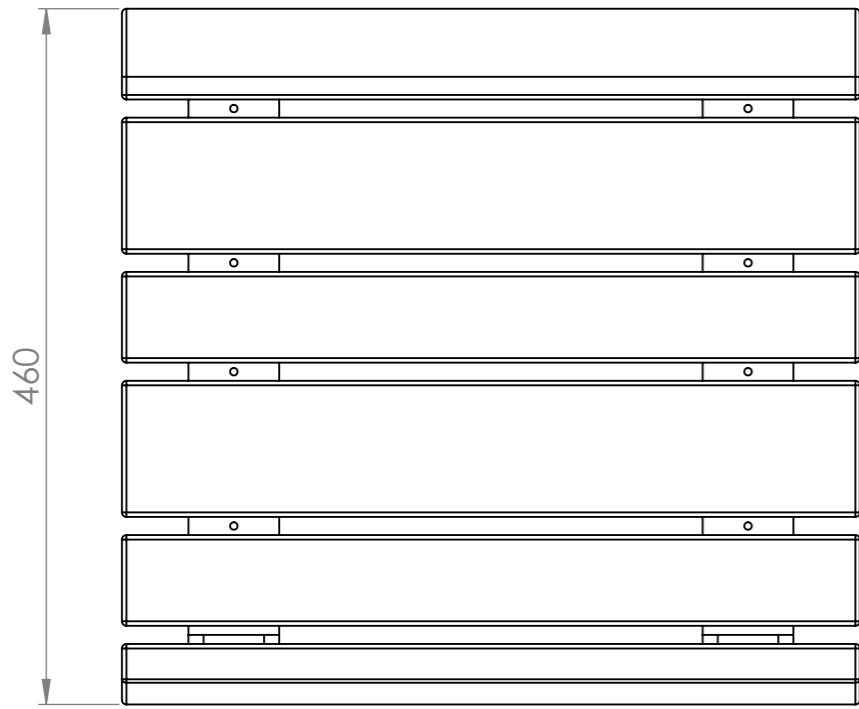


1 2 3 4 5 6 7 8

A
B
C
D
E
F



DRAWN	Dorus Bannenberg	DATE	18-5-2020		TITLE:	RS.BL.500	
REVISION					Drawing.	RS.BL.500	A3
				Liessentstraat 4, 5405 AG Uden (NL). † 0031 (0)413 - 27 41 68. e info@furns.nl, † www.furns.nl		SCALE:1:5	SHEET 1 OF 9
Color:	-						